

**INSTYTUT TECHNIKI BUDOWLANEJ**  
PL 00-611 WARSZAWA  
ul. Filtrowa 1  
tel.: (+48 22) 825-04-71  
(+48 22) 825-76-55  
fax: (+48 22) 825-52-86  
[www.itb.pl](http://www.itb.pl)



Member of



[www.eota.eu](http://www.eota.eu)

## European Technical Assessment

**ETA-17/0806  
of 29/06/2020**

### General Part

**Technical Assessment Body issuing the European Technical Assessment**

Instytut Techniki Budowlanej

**Trade name of the construction product**

R-LX

**Product family to which the construction product belongs**

Concrete screw for use in cracked and uncracked concrete

**Manufacturer**

RAWLPLUG S.A.  
ul. Kwidzyńska 6  
51-416 Wrocław  
Poland

**Manufacturing plant**

Manufacturing Plant no. 2

**This European Technical Assessment contains**

16 pages including 3 Annexes which form an integral part of this assessment

**This European Technical Assessment is issued in accordance with Regulation (EU) No 305/2011, on the basis of**

European Assessment Document (EAD) 330232-00-0601 "Mechanical fasteners for use in concrete" and 330011-00-0601 "Adjustable concrete screw"

**This version replaces**

ETA-17/0806 issued on 29/12/2017

*This European Technical Assessment is issued by the Technical Assessment Body in its official language. Translations of this European Technical Assessment in other languages shall fully correspond to the original issued document and should be identified as such.*

*Communication of this European Technical Assessment, including transmission by electronic means, shall be in full. However, partial reproduction may be made, with the written consent of the issuing Technical Assessment Body. Any partial reproduction has to be identified as such.*

## Specific Part

### 1 Technical description of the product

The R-LX concrete screw is an anchor made of heat treated and zinc plated (ZP) or zinc flaked (ZF) steel. The anchor is screwed into a predrilled cylindrical drill hole. The special thread of the anchor cuts an internal thread into a concrete member while setting. The anchorage is characterized by mechanical interlock in the special thread.

The description of the product is given in Annex A.

### 2 Specification of the intended use in accordance with the applicable European Assessment Document (EAD)

The performances given in Section 3 are only valid if the anchors are used in compliance with the specifications and conditions given in Annex B.

The performances given in this European Technical Assessment are based on an assumed working life of the anchor of 50 years. The indications given on the working life cannot be interpreted as a guarantee given by the producer or the Technical Assessment Body, but are to be regarded only as a means for choosing the right products in relation to the expected economically reasonable working life of the works.

### 3 Performance of the product and references to the methods used for its assessment

#### 3.1 Performance of the product

##### 3.1.1 Mechanical resistance and stability (BWR 1)

Essential characteristic	Performance
Characteristic resistance under static and quasi-static loading	See Annex C1 and C2
Displacements under tension and shear loads	See Annex C2
Characteristic resistance and displacements for seismic performance categories C1 and C2	See Annex C3 and C4

##### 3.1.2 Safety in case of fire (BWR 2)

Essential characteristic	Performance
Reaction to fire	Anchors satisfy requirements for Class A1
Resistance to fire	See Annex C5

##### 3.1.3 Safety and accessibility in use (BWR 4)

For Basic Requirement Safety and accessibility in use are included under Basic Requirement Mechanical resistance and stability (BWR 1).

#### 3.2 Methods used for the assessment

The assessment of the products has been made in accordance with EAD 330232-00-0601 and EAD 330011-00-0601.

**4 Assessment and verification of constancy of performance (AVCP) system applied, with reference to its legal base**

According to Decision 96/582/EC of the European Commission the system 1 of assessment and verification of constancy of performance applies (see Annex V to Regulation (EU) No 305/2011).

**5 Technical details necessary for the implementation of the AVCP system, as provided for in the applicable European Assessment Document (EAD)**

Technical details necessary for the implementation of the AVCP system are laid down in the control plan which is deposited at Instytut Techniki Budowlanej.

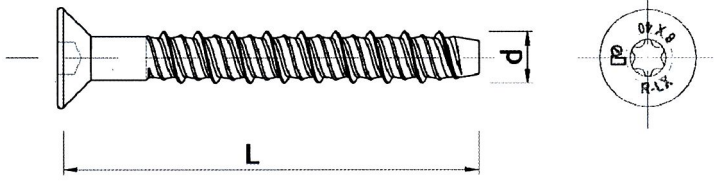
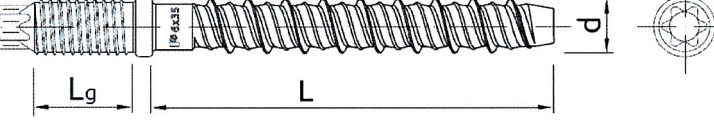
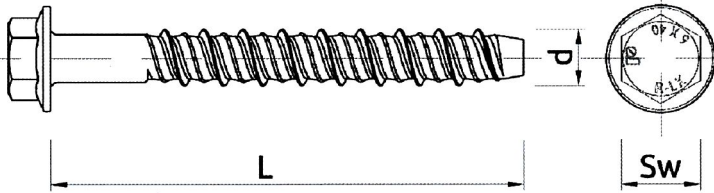
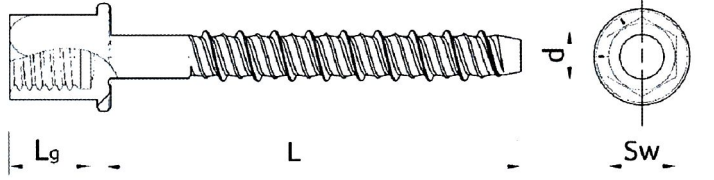
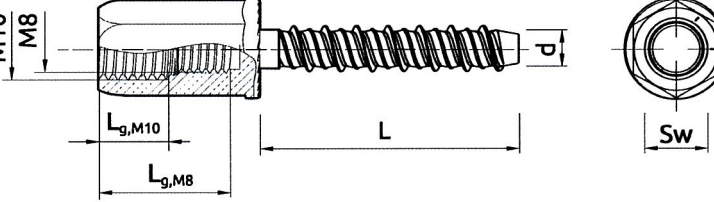
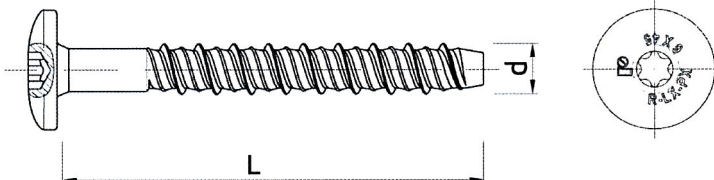
For type testing the results of the tests performed as part of the assessment for the European Technical Assessment shall be used unless there are changes in the production line or plant. In such cases the necessary type testing has to be agreed between Instytut Techniki Budowlanej and the notified body.

Issued in Warsaw on 29/06/2020 by Instytut Techniki Budowlanej



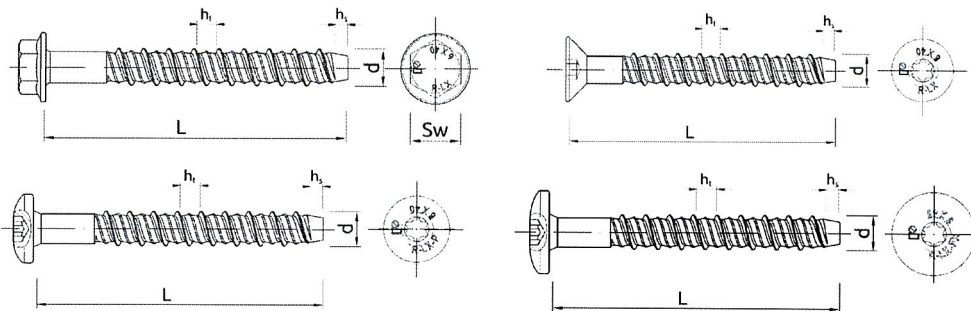
Anna Panek, MSc  
Deputy Director of ITB



<p>R-LX-CS</p> 	
<p>R-LX-E</p> 	
<p>R-LX-HF</p> 	
<p>R-LX-I</p> 	
<p>R-LX-P</p> 	
<p>R-LX-PX</p> 	
<p><b>R-LX</b></p>	<p><b>Annex A1</b> of European Technical Assessment ETA-17/0806</p>
<p><b>Product description</b> Characteristic of the product</p>	

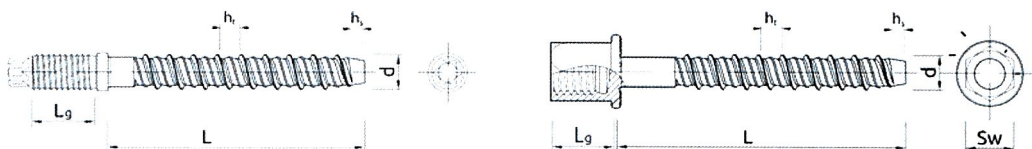
**Table A1: Dimensions and materials for R-LX-HF, R-LX-CS, R-LX-P and R-LX-PX**

Anchor size			R-LX-05	R-LX-06	R-LX-08	R-LX-10	R-LX-12	R-LX-14
Thread size	d	mm	6,2	7,5	9,9	12,4	14,9	17,4
Length of anchor	L	mm	45 - 240	45 - 240	60 - 240	60 - 240	75 - 240	80 - 240
Nominal hole diameter	d <sub>0</sub>	mm	5	6	8	10	12	14
Tip chamfer	h <sub>s</sub>	mm	2,5	3	4	4,5	6	6
Pitch	h <sub>t</sub>	mm	4,2	5	6,7	8,3	10	11,6
Material: carbon steel	f <sub>uk</sub>	N/mm <sup>2</sup>	1300	1250	1200	1050	1000	1020
	f <sub>yk</sub>	N/mm <sup>2</sup>	1150	1100	1050	950	900	800
Coating			Zinc Plated (ZP ≥ 5 μm) or Zinc Flaked (ZF ≥ 5 μm)					



**Table A2: Dimensions and materials for R-LX-E and R-LX-I**

Anchor size			R-LX-05	R-LX-06	R-LX-08	R-LX-10
Thread size	d	mm	6,2	7,5	9,9	12,4
Length of anchor R-LX-E	L	mm	-	55 - 240	60 - 240	65 - 240
Length of anchor R-LX-I	L	mm	45 - 75	40 - 150	51 - 150	56 - 160
Nominal hole diameter	d <sub>0</sub>	mm	5	6	8	10
Tip chamfer	h <sub>s</sub>	mm	2,5	3	4	4,5
Pitch	h <sub>t</sub>	mm	4,2	5	6,7	8,3
External thread (R-LX-E)	-	-	-	M8	M10	M12
Internal thread (R-LX-I)	-	-	M6	M6, M8, M10, M8/M10	M12	M12, M16
Material: carbon steel	f <sub>uk</sub>	N/mm <sup>2</sup>	1300	1250	1200	1050
	f <sub>yk</sub>	N/mm <sup>2</sup>	1150	1100	1050	950
Coating			Zinc Plated (ZP ≥ 5 μm) or Zinc Flaked (ZF ≥ 5 μm)			



R-LX

**Product description**  
Dimensions and materials

**Annex A2**  
of European  
Technical Assessment  
ETA-17/0806

**Intended use**

**Anchorage subject to:**

- Static and quasi-static loads: all sizes and all embedment depth.
- Anchorages with requirements related to resistance to fire: all sizes and all embedment depths.
- Seismic performance categories C1 and C2: R-LX-08, R-LX-10 and R-LX-14.

**Base material:**

- Reinforced or unreinforced normal weight concrete with strength class C20/25 to C50/60 according to EN 206.
- Uncracked and cracked concrete: all sizes.

**Use conditions (environmental conditions):**

- Structures subject to dry internal conditions.

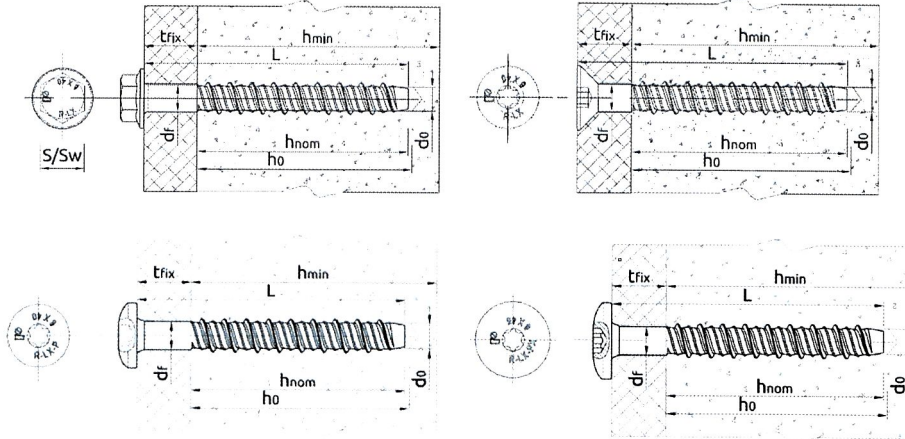
**Design:**

- Anchorages are designed under the responsibility of an engineer experienced in anchorages and concrete work.
- Verifiable calculation notes and drawings are prepared taking account of the loads to be transmitted. The position of the anchor is indicated on the design drawings (e.g. position of the anchor relative to reinforcement or to supports, etc.).
- Anchorages under static and quasi-static loads, under fire exposure and under seismic actions are designed in accordance with EN 1992-4:2018.

**Installation:**

- Rotary hammer drilling only: all sizes and all embedment depths.
- Anchor installation carried out by appropriately qualified personnel and under the supervision of the person responsible for technical matters of the site.
- Anchor installation in accordance with the manufacturer's specifications and drawings and using the appropriate tools.
- In case of aborted hole: new drilling at a minimum distance away of twice the depth of the aborted hole or smaller distance if the aborted drill hole is filled with high strength mortar and if under shear or oblique tension load it is not in the direction of load application.
- After installation further turning of the anchor is not possible. The head of the anchor is supported on the fixture and is not damaged.
- Adjustment according to Annex B5 and Table C1.

<b>R-LX</b>	<b>Annex B1</b> of European Technical Assessment ETA-17/0806
<b>Intended use Specification</b>	



Installed anchor R-LX-HF, R-LX-CS, R-LX-P and R-LX-PX

**Table B1: Installation parameters – standard embedment depth**

Anchor size			R-LX-05	R-LX-06	R-LX-08	R-LX-10	R-LX-12	R-LX-14
Nominal drill bit diameter	$d_{cut}$	mm	5	6	8	10	12	14
Maximum drill bit diameter	$d_{cut,max}$	mm	5,40	6,40	8,45	10,45	12,50	14,50
Depth of drill hole*	$h_0 \geq$	mm	50	65	80	95	110	130
Nominal embedment depth	$h_{nom}$	mm	43	55	70	85	100	120
Effective embedment depth	$h_{ef}$	mm	32	42	53	65	76	92
Maximum installation torque	$T_{imp,max}$	Nm	200	400	900	950	950	950
Clearance hole in the fixture	$d_f \leq$	mm	7	9	12	14	16	18
Minimum thickness of member	$h_{min}$	mm	100	100	110	130	155	190
Thickness of the fixture, max.	$t_{fix}$	mm	$L - h_{nom}$					

\* Real depth of drill hole  $h_0 = L + 10 - t_{fix}$

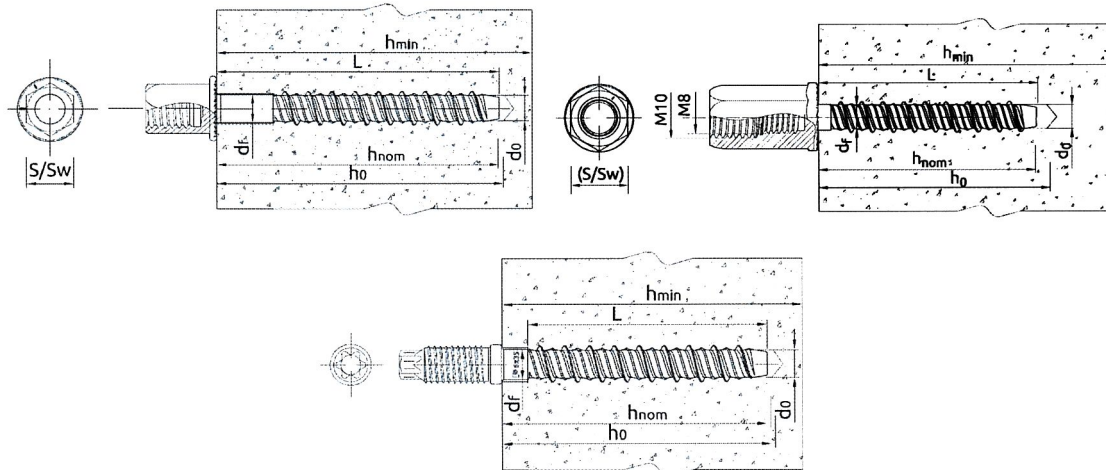
**Table B2: Installation parameters – reduced embedment depth**

Anchor size			R-LX-06	R-LX-08	R-LX-10	R-LX-12	R-LX-14
Nominal drill bit diameter	$d_{cut}$	mm	6	8	10	12	14
Maximum drill bit diameter	$d_{cut,max}$	mm	6,40	8,45	10,45	12,50	14,50
Depth of drill hole	$h_0 \geq$	mm	50	60	65	70	85
Nominal embedment depth	$h_{nom}$	mm	43	50	55	60	75
Effective embedment depth	$h_{ef}$	mm	32	36	40	42	54
Maximum installation torque	$T_{imp,max}$	Nm	400	900	950	950	950
Clearance hole in the fixture	$d_f \leq$	mm	9	12	14	16	18
Minimum thickness of member	$h_{min}$	mm	100	100	100	110	110
Thickness of the fixture, max.	$t_{fix}$	mm	$L - h_{nom}$				

\* Real depth of drill hole  $h_0 = L + 10 - t_{fix}$

<b>R-LX</b>	<b>Annex B2</b> of European Technical Assessment ETA-17/0806
<b>Intended use</b> Installation parameters	





Installed anchor R-LX-I and R-LX-E

**Table B3: Installation parameters – standard embedment depth**

Anchor size			R-LX-05	R-LX-06	R-LX-08	R-LX-10
Nominal drill bit diameter	$d_{cut}$	mm	5	6	8	10
Maximum drill bit diameter	$d_{cut,max}$	mm	5,40	6,40	8,45	10,45
Depth of drill hole	$h_0 \geq$	mm	50	65	80	95
Nominal embedment depth	$h_{nom}$	mm	43	55	70	85
Effective embedment depth	$h_{ef}$	mm	32	42	53	65
Maximum installation torque	$T_{imp,max}$	Nm	200	400	900	950
Minimum thickness of member	$h_{min}$	mm	100	100	110	130

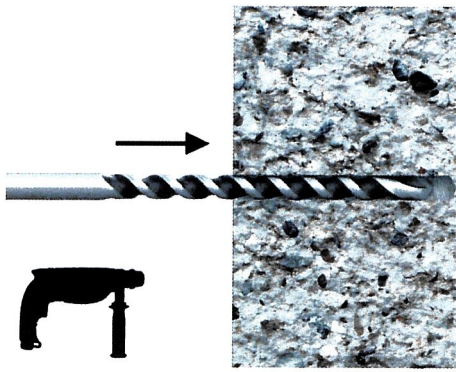
**Table B4: Installation parameters – reduced embedment depth**

Anchor size			R-LX-06	R-LX-08	R-LX-10
Nominal drill bit diameter	$d_{cut}$	mm	6	8	10
Maximum drill bit diameter	$d_{cut,max}$	mm	6,40	8,45	10,45
Depth of drill hole	$h_0 \geq$	mm	50	60	65
Nominal embedment depth	$h_{nom}$	mm	39	50	55
Effective embedment depth	$h_{ef}$	mm	32	36	40
Maximum installation torque	$T_{imp,max}$	Nm	400	900	950
Minimum thickness of member	$h_{min}$	mm	100	100	100

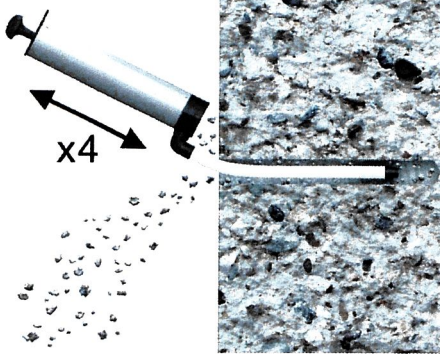
**Table B5: Minimum spacing and edge distance**

Anchor size			R-LX-05	R-LX-06	R-LX-08	R-LX-10	R-LX-12	R-LX-14
Minimum edge distance	$c_{min}$	mm	40	45	50	60	80	100
Minimum spacing	$s_{min}$	mm	40	45	50	60	80	100

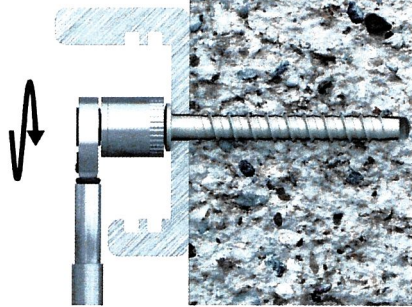
<b>R-LX</b>	<b>Annex B3</b> of European Technical Assessment ETA-17/0806
<b>Intended use</b> Installation parameters	



Drill the hole with rotary hammer drilling machine. Drill to a required depth.

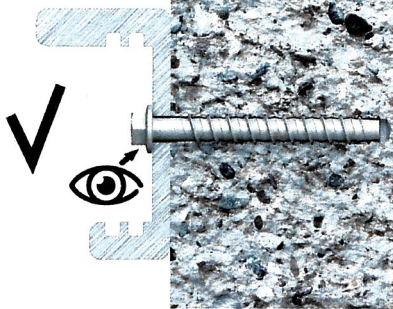


Clean the drill hole (blow out dust at least 4 times with a hand pump).



Tighten the anchor to the substrate.

Installation with any torque impact wrench up to the maximum torque moment ( $T_{imp,max}$ ).



After installation a further turning of the screw must not be possible. The head of the screw must be in contact with the fixture / substrate and be not damaged.

R-LX


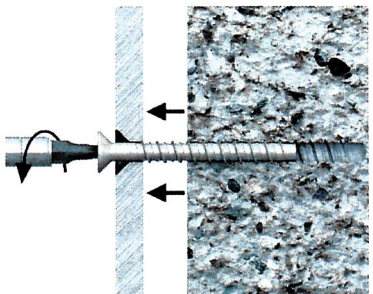
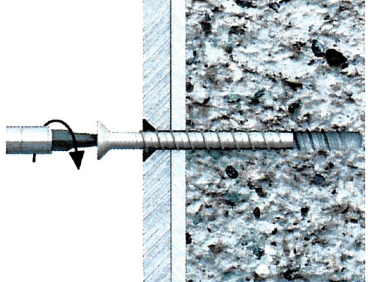
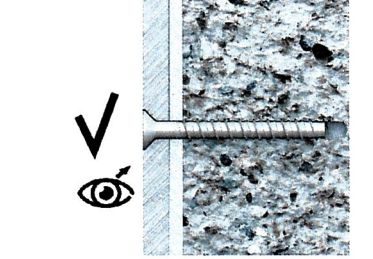
**Intended use**

Installation instruction and tools

R-LX-CS, R-LX-E, R-LX-HF, R-LX-I, R-LX-P, R-LX-PX **without adjustment**

**Annex B4**

of European  
Technical Assessment  
ETA-17/0806

	<p>Drill the hole with rotary hammer drilling machine. Drill to a required depth.</p> <p>Clean the drill hole (blow out dust at least 4 times with a hand pump).</p>
	<p>Possibility of unscrewing and re-screwing.</p>
	<p>Tighten the anchor to the substrate. Installation with any torque impact wrench up to the maximum torque moment (<math>T_{imp,max}</math>).</p>
	<p>After installation a further turning of the screw must not be possible. The head of the screw must be in contact with the fixture / substrate and be not damaged.</p>
<p><b>R-LX</b></p>	<p><b>Annex B5</b></p>
<p style="text-align: center;"><b>Intended use</b> Installation instruction and tools R-LX-CS, R-LX-E, R-LX-HF, R-LX-I, R-LX-P, R-LX-PX <b>with adjustment</b></p>	<p style="text-align: center;">of European Technical Assessment ETA-17/0806</p>



**Table C1:** Characteristic resistance in cracked and uncracked concrete C20/25 to C50/60, design method A

Anchor size			R-LX-05		R-LX-06		R-LX-08		R-LX-10		R-LX-12		R-LX-14	
Nominal embedment depth	$h_{nom}$	[mm]	43	43	55	50	70	55	85	60	100	75	120	
<b>Adjustment</b>														
Total max. thickness of adjustment layers	$t_{adj}$	[mm]	10	-	10	-	10	-	10	-	10	-	10	
Max. number of adjustments	$n_s$	[-]	2	-	2	-	2	-	2	-	2	-	2	
<b>Steel failure</b>														
Characteristic resistance	$N_{Rk,s}$	[kN]	25,5	35,4		60,4		82,4		113,0		157,0		
Partial safety factor	$\gamma_{Ms}^{1)}$	[-]	1,4	1,4		1,4		1,4		1,4		1,5		
<b>Pull-out failure</b>														
Characteristic resistance in uncracked concrete C20/25	$N_{Rk,p}$	[kN]	7,0	-) <sup>2)</sup>	12,0	-) <sup>2)</sup>	-) <sup>2)</sup>	-) <sup>2)</sup>	-) <sup>2)</sup>	-) <sup>2)</sup>	-) <sup>2)</sup>	-) <sup>2)</sup>	-) <sup>2)</sup>	
Characteristic resistance in cracked concrete C20/25	$N_{Rk,p}$	[kN]	4,5	-) <sup>2)</sup>	7,0	7,0	13,0	8,0	-) <sup>2)</sup>	7,0	-) <sup>2)</sup>	13,0	-) <sup>2)</sup>	
Installation safety factor	$\gamma_{inst}$	[-]	1,2	1,0		1,0		1,0		1,0		1,0		
Increasing factor	concrete C30/37	$\psi_c$	[-]	1,08	1,08	1,08		1,08		1,08		1,08		
	concrete C40/50		[-]	1,15	1,15	1,15		1,15		1,15		1,15		
	concrete C50/60		[-]	1,19	1,19	1,19		1,19		1,19		1,19		
<b>Concrete cone failure and splitting failure</b>														
Effective embedment depth	$h_{ef}$	[mm]	32	32	42	36	53	40	65	42	76	54	92	
Factor for uncracked concrete	$k_{ucr,N}$	[-]	11,0	11,0		11,0		11,0		11,0		11,0		
Factor for cracked concrete	$k_{cr,N}$	[-]	7,7	7,7		7,7		7,7		7,7		7,7		
Installation safety factor	$\gamma_{inst}$	[-]	1,2	1,0		1,0		1,0		1,0		1,0		
Characteristic spacing	concrete cone failure	$s_{cr,N}$	[mm]	90	90	126	112	160	120	196	126	228	165	276
	splitting failure	$s_{cr,sp}$	[mm]	90	90	126	112	160	136	222	126	228	188	312
Characteristic edge distance	concrete cone failure	$c_{cr,N}$	[mm]	45	45	63	56	80	60	98	63	114	83	138
	splitting failure	$c_{cr,sp}$	[mm]	45	45	63	56	80	68	111	63	114	94	156

<sup>1)</sup> In the absence of other national regulations

<sup>2)</sup> Pull-out failure is not decisive

**R-LX**

**Performances**  
Characteristic resistance for tension loads.

**Annex C1**  
of European  
Technical Assessment  
ETA-17/0806



**Table C2: Characteristic resistance in cracked and uncracked concrete C20/25 to C50/60, design method A**

Anchor size			R-LX-05	R-LX-06		R-LX-08		R-LX-10		R-LX-12		R-LX-14	
Nominal embedment depth	$h_{nom}$	[mm]	43	43	55	50	70	55	85	60	100	75	120
<b>Steel failure without lever arm</b>													
Characteristic resistance	$V_{Rk,s}$	[kN]	12,7	17,7		30,2		41,2		57,0		78,5	
Factor considering ductility	$k_7$	[-]	0,8	0,8		0,8		0,8		0,8		0,8	
Partial safety factor	$\gamma_{Ms}^{1)}$	[-]	1,5	1,5		1,5		1,5		1,5		1,5	
<b>Steel failure with lever arm</b>													
Characteristic bending resistance	$M_{Rk,s}^0$	[Nm]	19,0	31,8		72,4		123,6		203,3		329,6	
Partial safety factor	$\gamma_{Ms}^{1)}$	[-]	1,5	1,5		1,5		1,5		1,5		1,5	
<b>Concrete pry-out failure</b>													
Factor	$k_B$	[-]	1,0	1,0		1,0		1,0	2,0	1,0	2,0	1,0	2,0
Installation safety factor	$\gamma_{inst}$	[-]	1,0	1,0		1,0		1,0		1,0		1,0	
<b>Concrete edge failure</b>													
Outside diameter on anchor	$d_{nom}$	[mm]	5	6		8		10		12		14	
Effective length of anchor under shear loads	$l_f$	[mm]	43	43	55	50	70	55	85	60	100	75	120
Installation safety factor	$\gamma_{inst}$	[-]	1,0	1,0		1,0		1,0		1,0		1,0	
Minimum member thickness	$h_{min}$	[mm]	100	100	100	100	110	100	130	110	155	110	190
<b>Displacements</b>													
Tension load in uncracked concrete C20/25 to C50/60													
Tension load	N	[kN]	2,9	5,6		11,0		14,9		18,1		23,1	
Short term tension displacement	$\delta_{ND}$	[mm]	0,3	0,3		0,4		0,4		0,5		0,5	
Long term tension displacement	$\delta_{Nec}$	[mm]	0,85	0,9		1,0		1,0		1,2		1,25	
Tension load in cracked concrete C20/25 to C50/60													
Tension load	N	[kN]	2,3	4,4		6,7		10,2		12,4		17,7	
Short term tension displacement	$\delta_{ND}$	[mm]	0,4	0,4		0,5		0,5		0,6		0,7	
Long term tension displacement	$\delta_{Nec}$	[mm]	2,0	2,0		2,0		2,0		2,0		2,0	
Shear load in cracked and uncracked concrete C20/25 to C50/60													
Shear load	V	[kN]	5,6	8,1		11,9		18,7		27,1		35,2	
Short term shear displacement	$\delta_{v0}$	[mm]	1,4	1,5		2,5		2,5		2,5		2,5	
Long term shear displacement	$\delta_{vec}$	[mm]	2,1	2,25		3,75		3,75		3,75		3,75	

<sup>1)</sup> In the absence of other national regulations

**R-LX**

**Performances**  
Characteristic resistance for shear loads. Displacements

**Annex C2**  
of European  
Technical Assessment  
ETA-17/0806

**Table C3: Characteristic values for seismic performance category C1**

<b>Anchor size</b>			<b>R-LX-08</b>	<b>R-LX-10</b>	<b>R-LX-14</b>
Nominal embedment depth	$h_{nom}$	[mm]	70	85	120
<b>Steel failure for tension and shear load</b>					
Characteristic resistance	$N_{RK,s,eq}$	[kN]	60,4	82,4	157,0
	$V_{RK,s,eq}$	[kN]	15,1	27,4	52,3
<b>Pullout failure</b>					
Characteristic resistance	$N_{RK,p,eq}$	[kN]	5,4	13,5	19,2
<b>Concrete cone failure</b>					
Effective embedment depth	$h_{ef}$	[mm]	53	65	92
Characteristic edge distance	$c_{cr,N}$	[mm]	1,5 $h_{ef}$		
Characteristic spacing	$s_{cr,N}$	[mm]	3 $h_{ef}$		
Installation safety factor	$\gamma_{inst}$	[-]	1,0		
<b>Concrete pry-out failure</b>					
Factor	$k_B$	[-]	1,0	2,0	2,0
<b>Concrete edge failure</b>					
Outside diameter on anchor	$d_{nom}$	[mm]	8	10	14
Effective length of anchor under shear loads	$l_f$	[mm]	70	85	120

**R-LX**

**Performances**  
 Characteristic values for seismic performance category C1

**Annex C3**  
 of European  
 Technical Assessment  
 ETA-17/0806

**Table C4: Characteristic values for seismic performance category C2**

<b>Anchor size</b>			<b>R-LX-08</b>	<b>R-LX-10</b>	<b>R-LX-14</b>
Nominal embedment depth	$h_{nom}$	[mm]	70	85	120
<b>Steel failure for tension and shear load</b>					
Characteristic resistance	$N_{Rk,s,eq}$	[kN]	60,4	82,4	157,0
	$V_{Rk,s,eq}$	[kN]	9,9	20,6	35,1
<b>Pullout failure</b>					
Characteristic resistance	$N_{Rk,p,eq}$	[kN]	1,57	4,91	14,87
<b>Concrete cone failure</b>					
Effective embedment depth	$h_{ef}$	[mm]	53	65	92
Characteristic edge distance	$c_{cr,N}$	[mm]	1,5 $h_{ef}$		
Characteristic spacing	$s_{cr,N}$	[mm]	3 $h_{ef}$		
Installation factor	$\gamma_{inst}$	[-]	1,0		
<b>Concrete pry-out failure</b>					
Factor	$k_s$	[-]	1,0	2,0	2,0
<b>Concrete edge failure</b>					
Outside diameter on anchor	$d_{nom}$	[mm]	8	10	14
Effective length of anchor under shear loads	$l_f$	[mm]	70	85	120
<b>Displacements</b>					
Displacements under tension load					
Displacement DLS	$\delta_{N,eq}$	[mm]	0,10	0,20	0,63
Displacement ULS	$\delta_{N,eq}$	[mm]	0,50	0,73	3,94
Displacements under shear load					
Displacement DLS	$\delta_{V,eq}$	[mm]	2,00	3,44	4,22
Displacement ULS	$\delta_{V,eq}$	[mm]	3,04	5,04	7,15

<b>R-LX</b>	<b>Annex C4</b> of European Technical Assessment ETA-17/0806
<b>Performances</b> Characteristic values for seismic performance category C2	



**Table C5: Characteristic resistance under fire exposure in cracked and uncracked concrete C20/25 to C50/60**

Anchor size			R-LX-05	R-LX-06		R-LX-08		R-LX-10		R-LX-12		R-LX-14		
Nominal embedment depth	$h_{nom}$	[mm]	43	43	55	50	70	55	85	60	100	75	120	
<b>Steel failure for tension and shear load <math>F_{RK,s,\Pi} = N_{RK,s,\Pi} = V_{RK,s,\Pi}</math></b>														
Characteristic resistance	R30	$F_{RK,s,\Pi}$	[kN]	0,20	0,28	0,28	0,75	0,75	1,57	1,57	2,26	2,26	3,08	3,08
	R60	$F_{RK,s,\Pi}$	[kN]	0,18	0,25	0,25	0,65	0,65	1,18	1,18	1,70	1,70	2,31	2,31
	R90	$F_{RK,s,\Pi}$	[kN]	0,14	0,20	0,20	0,50	0,50	1,02	1,02	1,47	1,47	2,00	2,00
	R120	$F_{RK,s,\Pi}$	[kN]	0,10	0,14	0,14	0,40	0,40	0,79	0,79	1,13	1,13	1,54	1,54
	R30	$M^0_{RK,s,\Pi}$	[Nm]	0,15	0,25	0,25	0,90	0,90	2,36	2,36	4,07	4,07	6,47	6,47
	R60	$M^0_{RK,s,\Pi}$	[Nm]	0,13	0,23	0,23	0,78	0,78	1,77	1,77	3,05	3,05	4,85	4,85
	R90	$M^0_{RK,s,\Pi}$	[Nm]	0,10	0,18	0,18	0,60	0,60	1,53	1,53	2,65	2,65	4,20	4,20
	R120	$M^0_{RK,s,\Pi}$	[Nm]	0,07	0,13	0,13	0,48	0,48	1,18	1,18	2,04	2,04	3,23	3,23
<b>Pull-out failure</b>														
Characteristic resistance	R30	$N_{RK,p,\Pi}$	[kN]	1,13	1,38	1,75	1,88	3,25	2,00	4,75	1,75	6,50	3,25	8,50
	R60	$N_{RK,p,\Pi}$	[kN]	1,13	1,38	1,75	1,88	3,25	2,00	4,75	1,75	6,50	3,25	8,50
	R90	$N_{RK,p,\Pi}$	[kN]	1,13	1,38	1,75	1,88	3,25	2,00	4,75	1,75	6,50	3,25	8,50
	R120	$N_{RK,p,\Pi}$	[kN]	0,90	1,10	1,40	1,50	2,60	1,60	3,80	1,40	5,20	2,60	6,80
<b>Concrete cone failure</b>														
Characteristic resistance	R30	$N_{RK,c,\Pi}$	[kN]	0,89	0,89	2,06	1,50	3,68	1,82	6,13	2,06	9,06	4,04	14,61
	R60	$N_{RK,c,\Pi}$	[kN]	0,89	0,89	2,06	1,50	3,68	1,82	6,13	2,06	9,06	4,04	14,61
	R90	$N_{RK,c,\Pi}$	[kN]	0,89	0,89	2,06	1,50	3,68	1,82	6,13	2,06	9,06	4,04	14,61
	R120	$N_{RK,c,\Pi}$	[kN]	0,71	0,71	1,65	1,20	2,94	1,46	4,91	1,65	7,25	3,23	11,69
<b>Edge distance</b>														
R30 to R120	$C_{cr,\Pi}$	[mm]	2· $h_{ef}$											
In case of fire attack from more than one side, the minimum edge distance shall be $\geq 300$ mm.														
<b>Anchor spacing</b>														
R30 to R120	$S_{cr,\Pi}$	[mm]	4· $h_{ef}$											
<b>Concrete pry-out failure</b>														
R30 to R120	k	[-]	1,0	1,0	1,0	1,0	1,0	1,0	1,0	2,0	1,0	2,0	1,0	2,0

**R-LX**

**Performances**  
 Characteristic resistance under fire exposure

**Annex C5**  
 of European  
 Technical Assessment  
 ETA-17/0806